

# Meat slicer

Easy and efficient/Pure copper motor



SHARP  
BLADE



PURE COPPER  
MOTOR



THICKNESS  
ADJUSTMENT

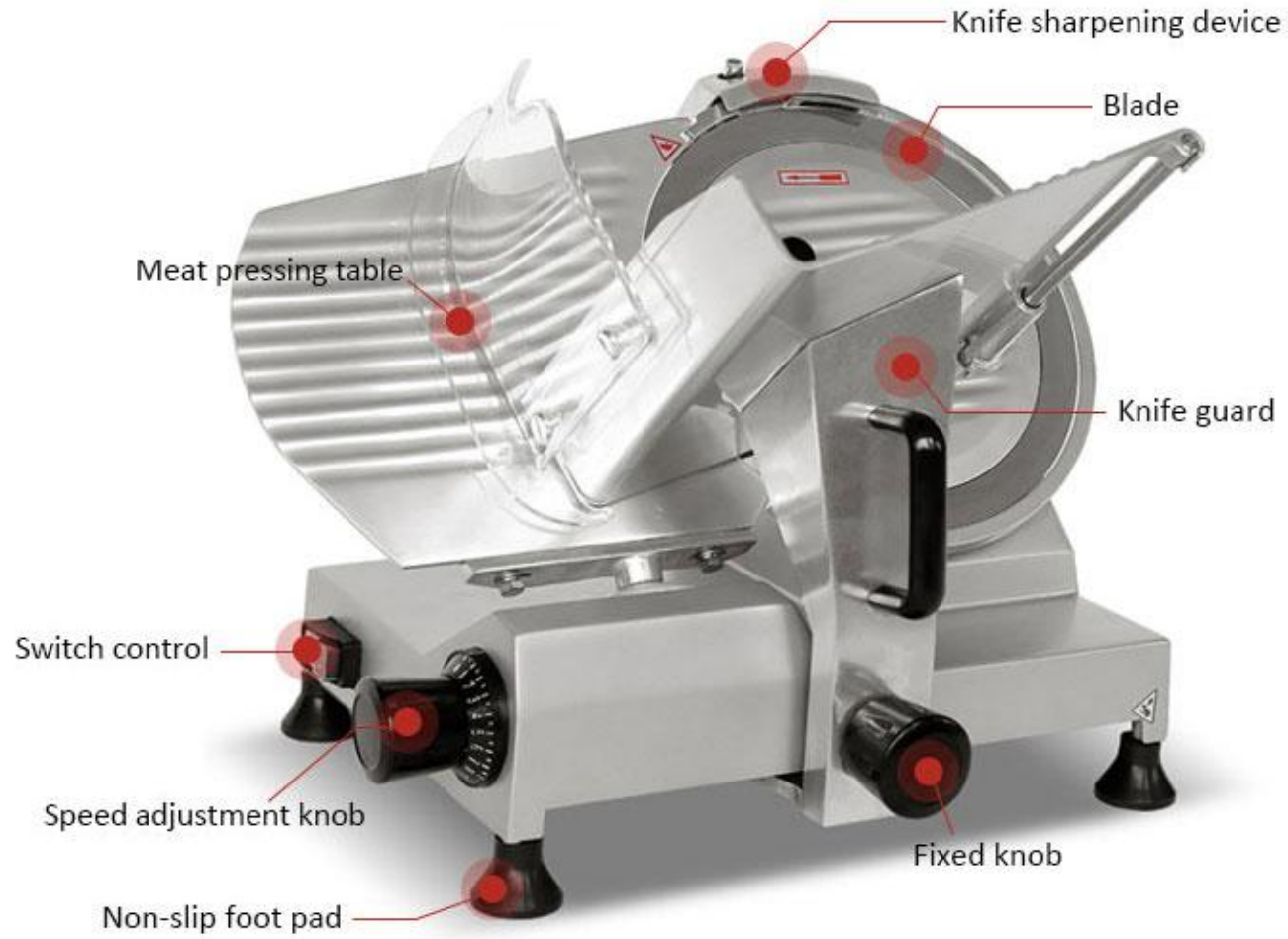


MANUAL MEAT  
DELIVERY

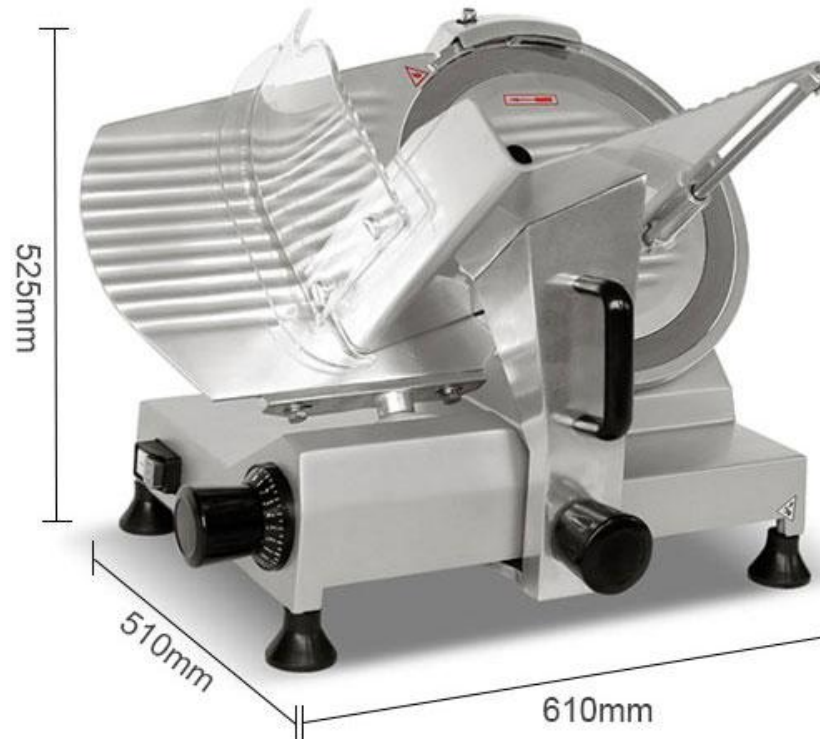


ALUMINUM  
MAGNESIUM ALLOY

# ANALYSIS OF MEAT SLICER



# PRODUCT PARAMETER



<b>Model</b>	DQ-300	<b>Thickness</b>	0-15mm
<b>Voltage</b>	220v	<b>Diameter</b>	300mm
<b>Power</b>	250w	<b>Frequency</b>	50Hz
<b>Dimension</b>	610*525*510mm	<b>Weight</b>	24.3kg

# MULTIPLE FOOD USE



Beef



Mutton



Bacon



Ham



Lotus root

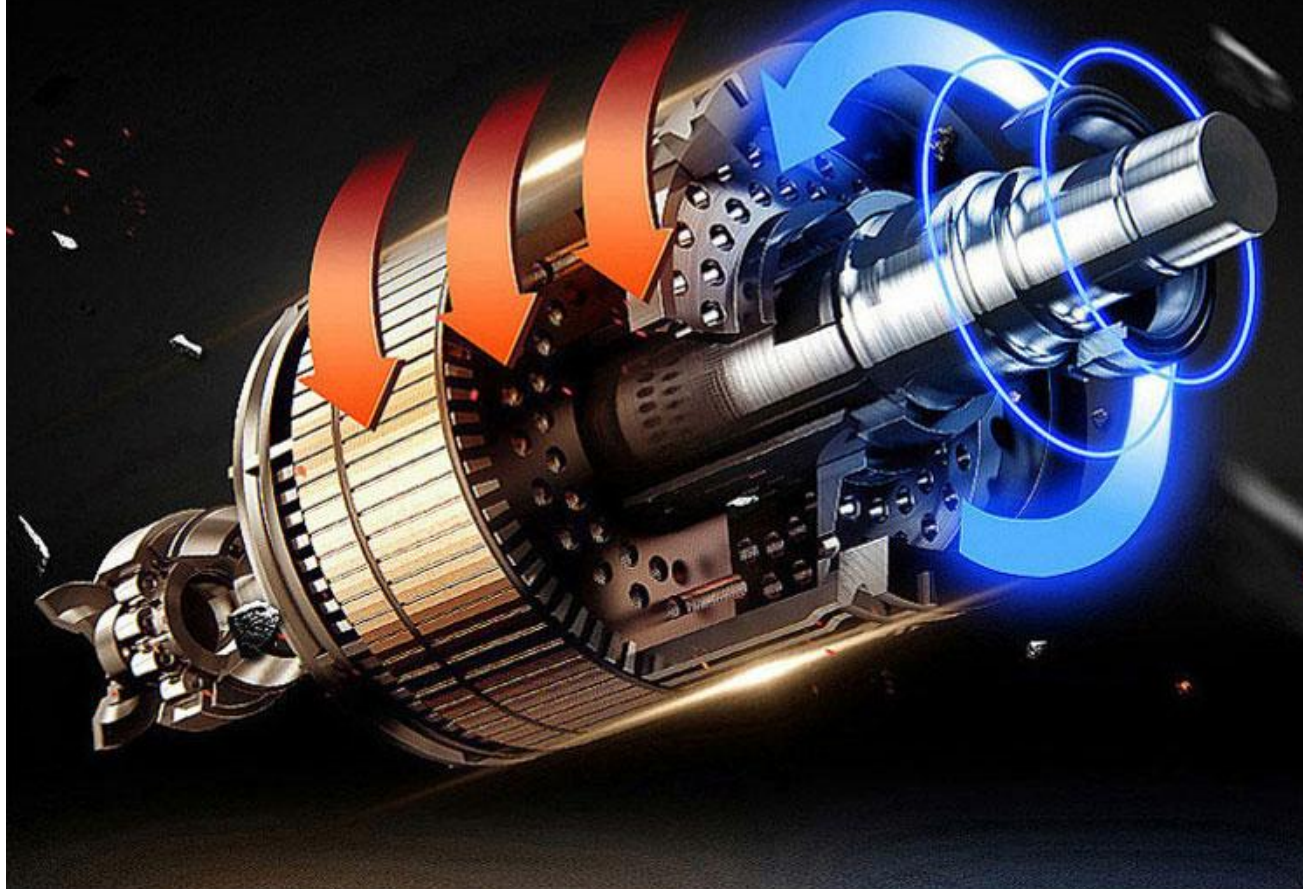


Potato

# COPPER CORE MOTOR

Strong power

anti-overheating/anti-overvoltage/anti-overcurrent



## **WEAR-RESISTANT SHARP BLADE**

High efficiency / uniform slicing



## DETAIL DISPLAY

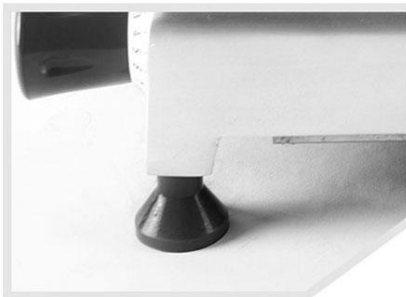


### Adjustment knob

Slice thickness 0-15mm  
Adjust the knob according  
to different needs

### Switch control

Long service life  
Independent operation of  
start and stop buttons



### Non-slip foot pad

Professional non-slip foot  
pad, stable and  
not shaking during use.

### Knife sharpening device

Comes with a sharpening wheel  
easy and convenient to sharpen  
the knife



# USE IN MULTIPLE SCENARIOS



Hot pot restaurant



BBQ shop



Cafeteria



Company restaurant



Snack bar



Upscale restaurant